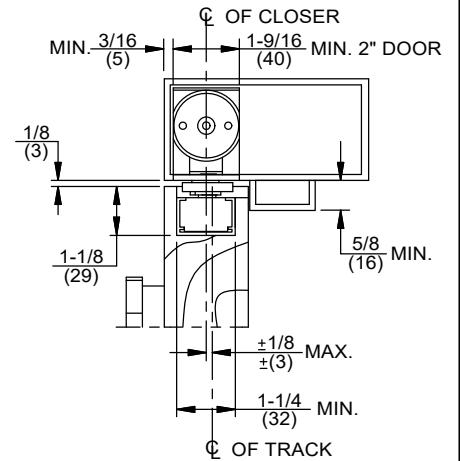
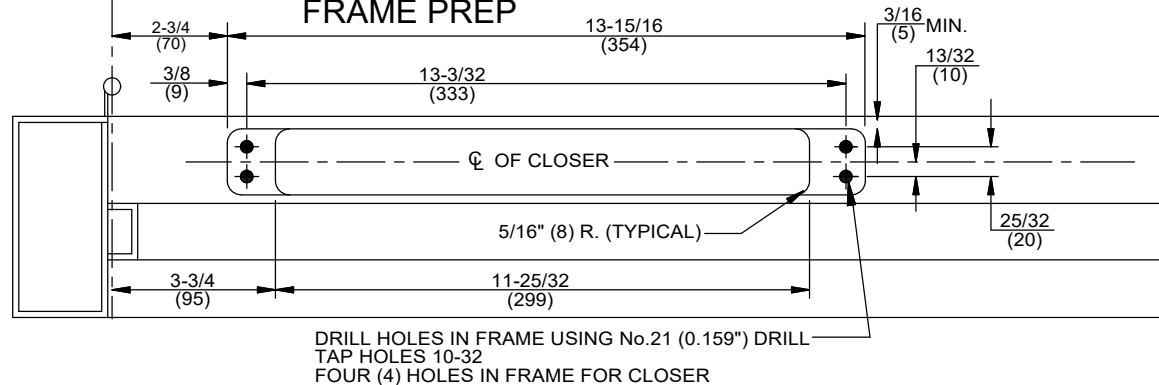


FRAME PREP



NOTES:

1. DIMENSIONS ARE IN INCHES/(MM).
2. RIGHT HAND DOOR SHOWN.
3. HOLD OPEN RANGE 80°-120°.
4. DOOR HUNG ON 4-1/2" X 4-1/2" BUTT HINGES OR 3/4" OFFSET PIVOTS- LESS TOP PIVOT.
5. THE TEMPLATING SHOWS THE LOCATION OF THE TRACK/CLOSER. NECESSARY REINFORCEMENT BY OTHERS.
6. THE ITS 96 MAY BE USED ON U.L. LISTED WOOD DOORS AND METAL FRAMES SUPPLIED BY MANUFACTURERS WHO HAVE THE PREPARATION FOR THIS CLOSER INCLUDED IN THEIR U.L. PROCEDURE. CHECK WITH THE DOOR/FRAME MANUFACTURER TO CONFIRM THAT ITS 96 PREPARATION IS INCLUDED.
7. MAXIMUM OPENING APPROX. 130°
8. SEE BROCHURE FOR MAXIMUM DOOR WIDTH.

DOOR CLOSER MODEL: ITS9625 INV
 CLOSER IN FRAME TRACK IN DOOR
 (WOOD DOOR AND METAL FRAME)

DOOR CLOSER MODEL: ITS 9625 INV
 CLOSER IN FRAME TRACK IN DOOR
 (WOOD DOOR AND METAL FRAME)